



US00D864752S

(12) **United States Design Patent**
Tan

(10) **Patent No.:** **US D864,752 S**

(45) **Date of Patent:** **** Oct. 29, 2019**

(54) **SEALABLE PAPER BAG**

(71) Applicant: **PAN PACIFIC PLASTICS MFG., INC.**, Hayward, CA (US)

(72) Inventor: **Hin Siang Michael Tan**, Danville, CA (US)

(73) Assignee: **PAN PACIFIC PLASTICS MFG., INC.**, Hayward, CA (US)

(**) Term: **15 Years**

(21) Appl. No.: **29/648,259**

(22) Filed: **May 18, 2018**

(51) **LOC (12) Cl.** **09-05**

(52) **U.S. Cl.**
USPC **D9/705**

(58) **Field of Classification Search**
USPC D9/702-714, 719, 738-740, 517-518,
D9/522, 416, 435, 444, 460, 455, 414,
(Continued)

(56) **References Cited**

U.S. PATENT DOCUMENTS

D501,134 S * 1/2005 Takahashi D9/703
D811,896 S * 3/2018 Wigman D9/703
(Continued)

Primary Examiner — Abraham Bahta

(74) *Attorney, Agent, or Firm* — Beyer Law Group LLP

(57) **CLAIM**

I claim the ornamental design for a sealable paper bag, substantially as shown and described.

DESCRIPTION

FIG. 1 is a front perspective view of the sealable paper bag showing my new design;

FIG. 2 is a rear perspective view thereof;

FIG. 3 is a rear perspective view thereof, the protective strip of the sealable portion of the bag shown in a partially peeled condition;

FIG. 4 is a front perspective view of FIG. 3;

FIG. 5 is an exploded, front perspective view thereof, the protective strip of the sealable portion of the bag shown in a fully peeled condition;

FIG. 6 is a front perspective view thereof, the bag shown in a closed condition;

FIG. 7 is a front perspective view thereof, the bag shown in a sealed condition;

FIG. 8 is a rear perspective view thereof;

FIG. 9 is a front view of FIG. 1;

FIG. 10 is a rear view thereof;

FIG. 11 is a right side view, the left side view being a mirror image thereof;

FIG. 12 is an interior view of a front sheet-like panel of the sealable bag, taken along the plane of the line 12-12 in FIG. 11;

FIG. 13 is a top view thereof;

FIG. 14 is a bottom view thereof;

FIG. 15 is a front view of an upper portion of the sealable paper bag of FIG. 1;

FIG. 16 is a rear view thereof;

FIG. 17 is a right side view, the left side view being a mirror image thereof;

FIG. 18 is an interior view of a front sheet-like panel of the sealable bag, taken along the plane of the line 18-18 in FIG. 17;

FIG. 19 is a top view thereof; and,

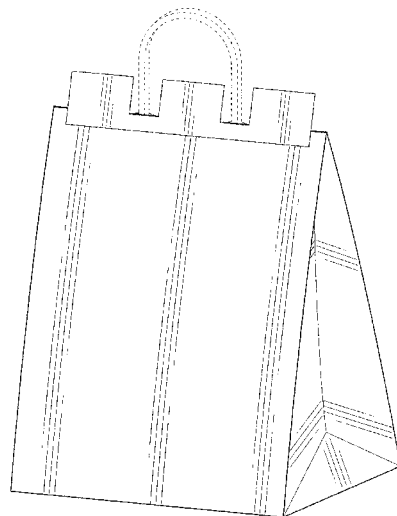
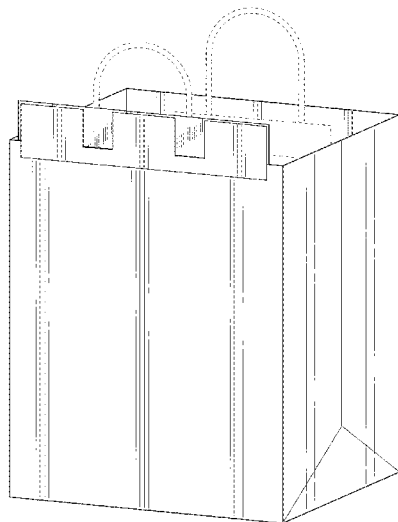
FIG. 20 is a bottom view thereof.

The broken lines in the Figures show portions of the sealable paper bag which form no part of the claimed design.

The shade lines in the Figures show contours and not surface ornamentation.

The break-away portion shown in FIGS. 15, 16, 18, 19, and 20 are included to show that the sealable paper bag has no specific length.

1 Claim, 18 Drawing Sheets



(58) **Field of Classification Search**

USPC D9/499, 431-432; D7/560-562;
206/434, 426-427, 429-430, 485, 485.1,
206/499, 508, 431, 418-422, 588-594;
229/117.3, 185, 121, 122, 200, 207, 236,
229/87.01; 220/23.83; 150/100-118;
294/137, 152; 383/6, 10, 14, 20, 40, 33,
383/104-105, 117, 108, 120, 93, 121.1,
383/127; 428/34.3
CPC B65D 33/00; B65D 33/06; B65D 33/065;
B65D 33/14; B65D 33/1683; B65D
33/12; B65D 31/00; B65D 31/04; B65D
31/10; A45C 3/04; A45C 3/10

See application file for complete search history.

(56) **References Cited**

U.S. PATENT DOCUMENTS

D812,490 S * 3/2018 Wigman D9/703
D821,223 S * 6/2018 Tan D9/705
D828,763 S * 9/2018 Tan D9/705
D830,849 S * 10/2018 Tan D9/705

* cited by examiner

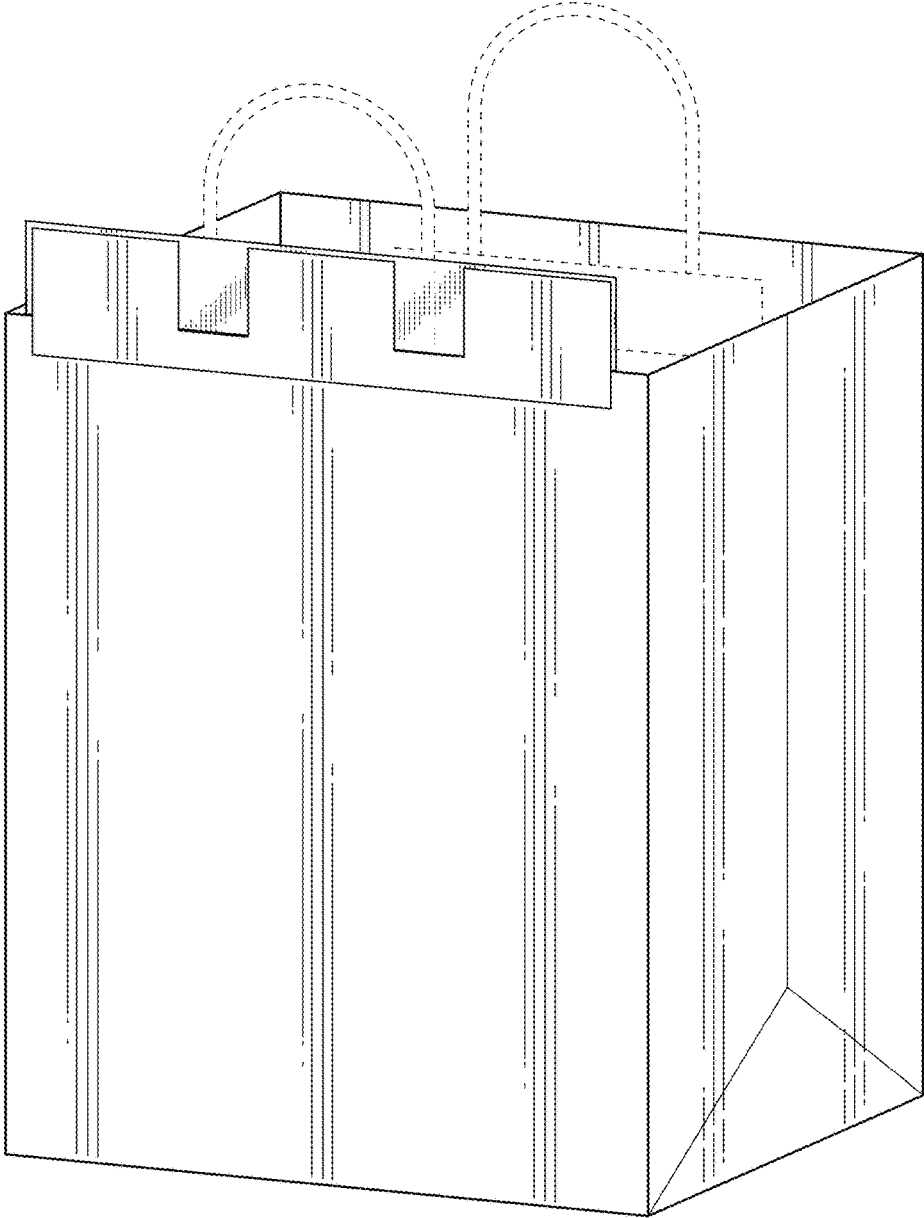


FIG. 1

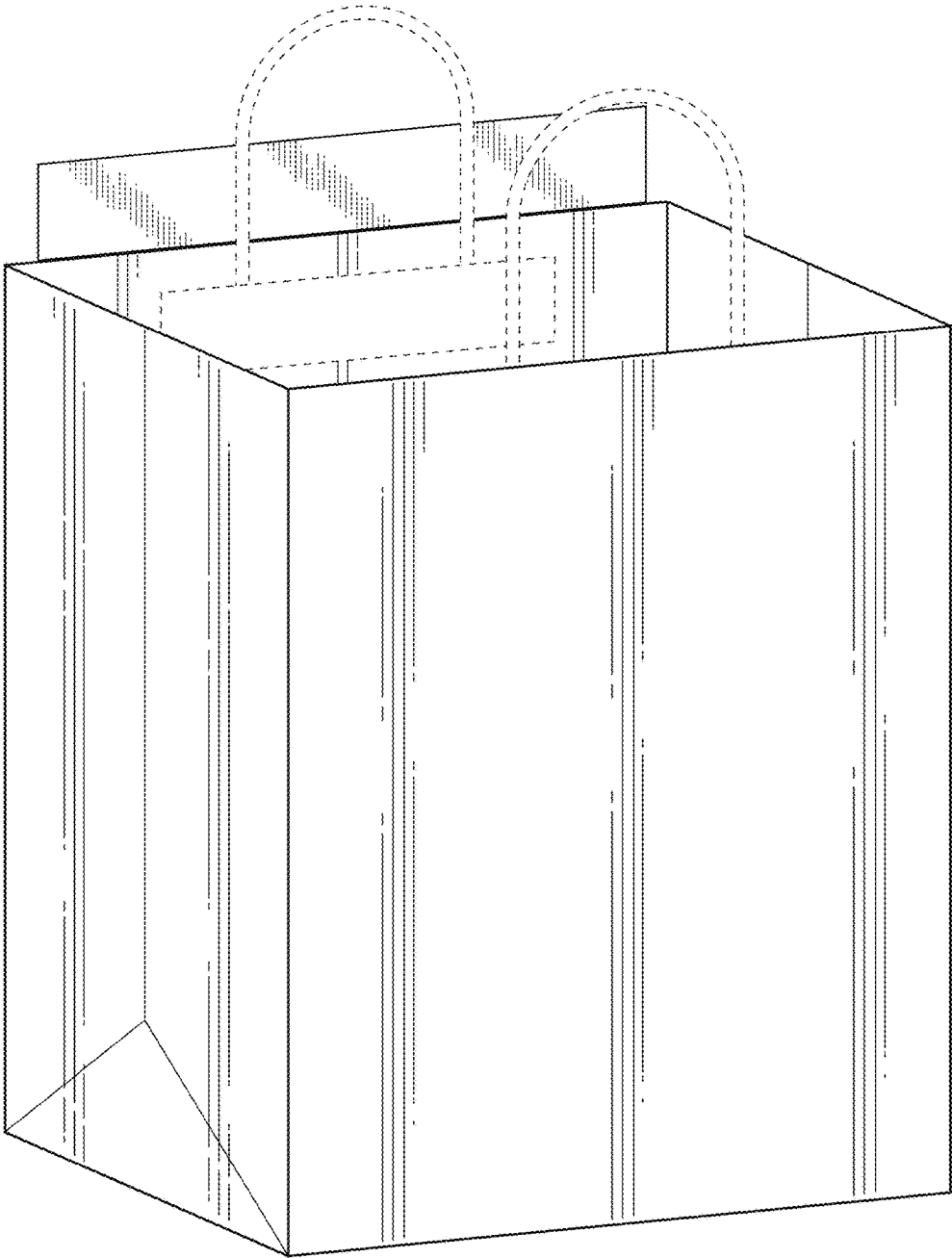


FIG. 2

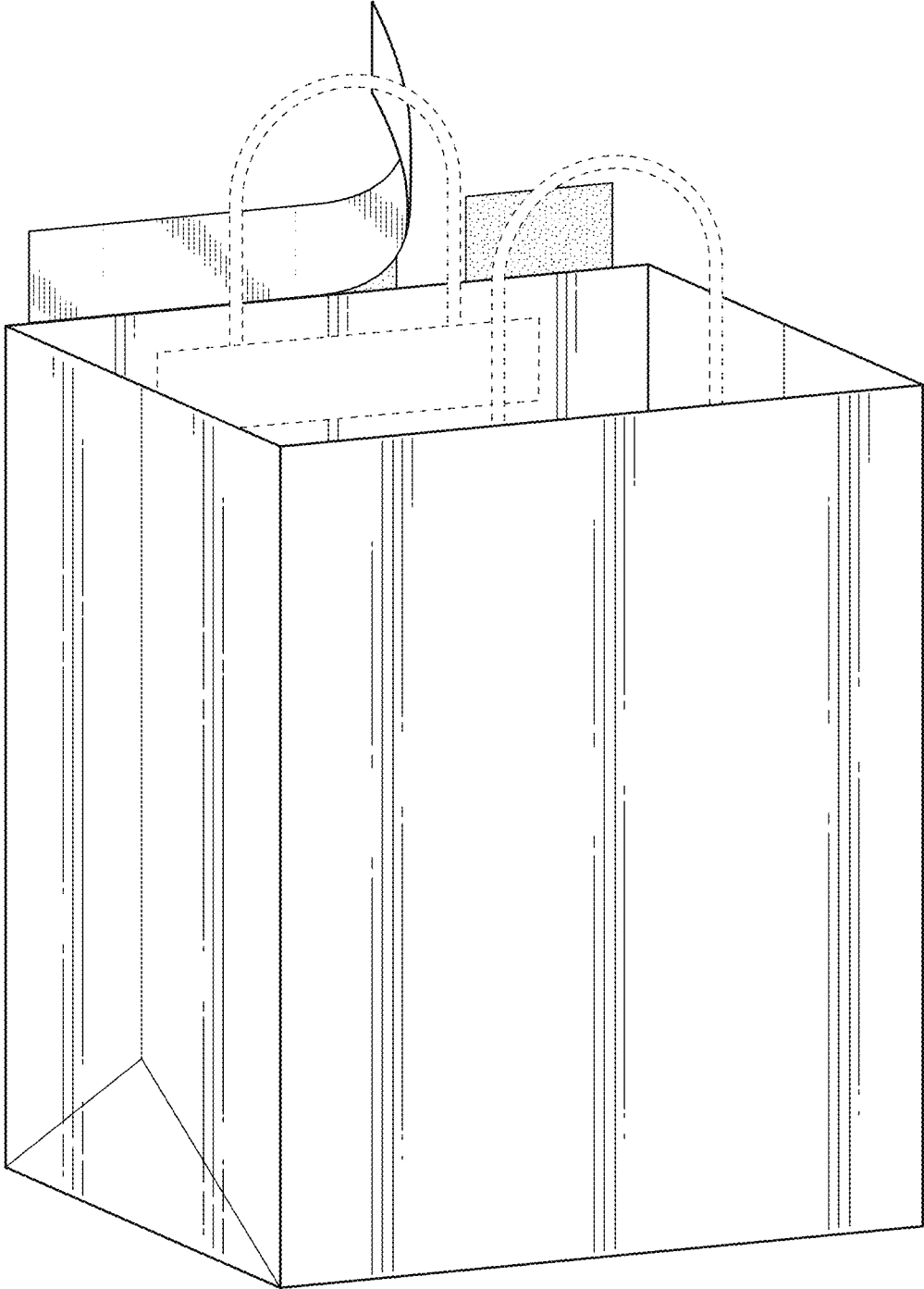


FIG. 3

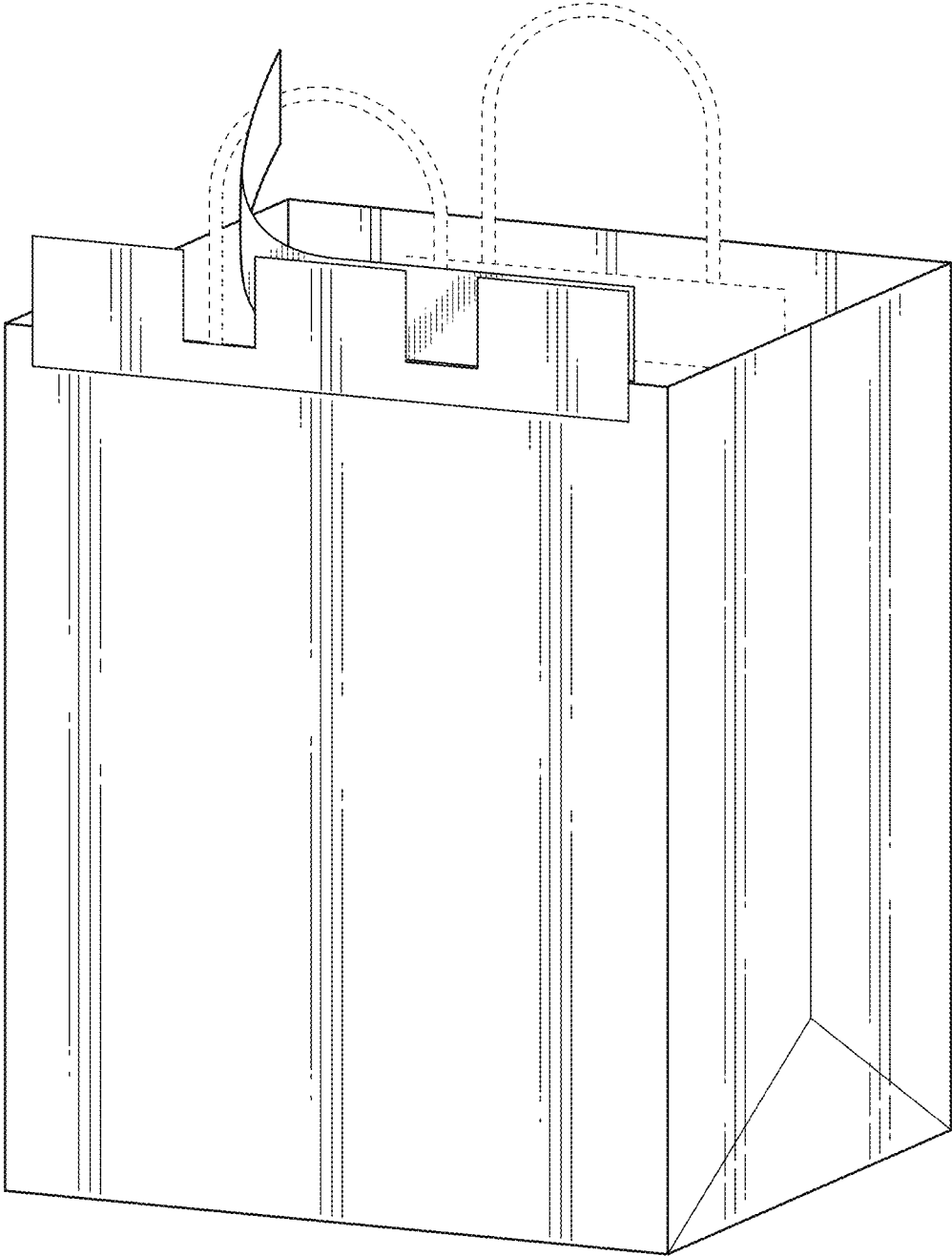


FIG. 4

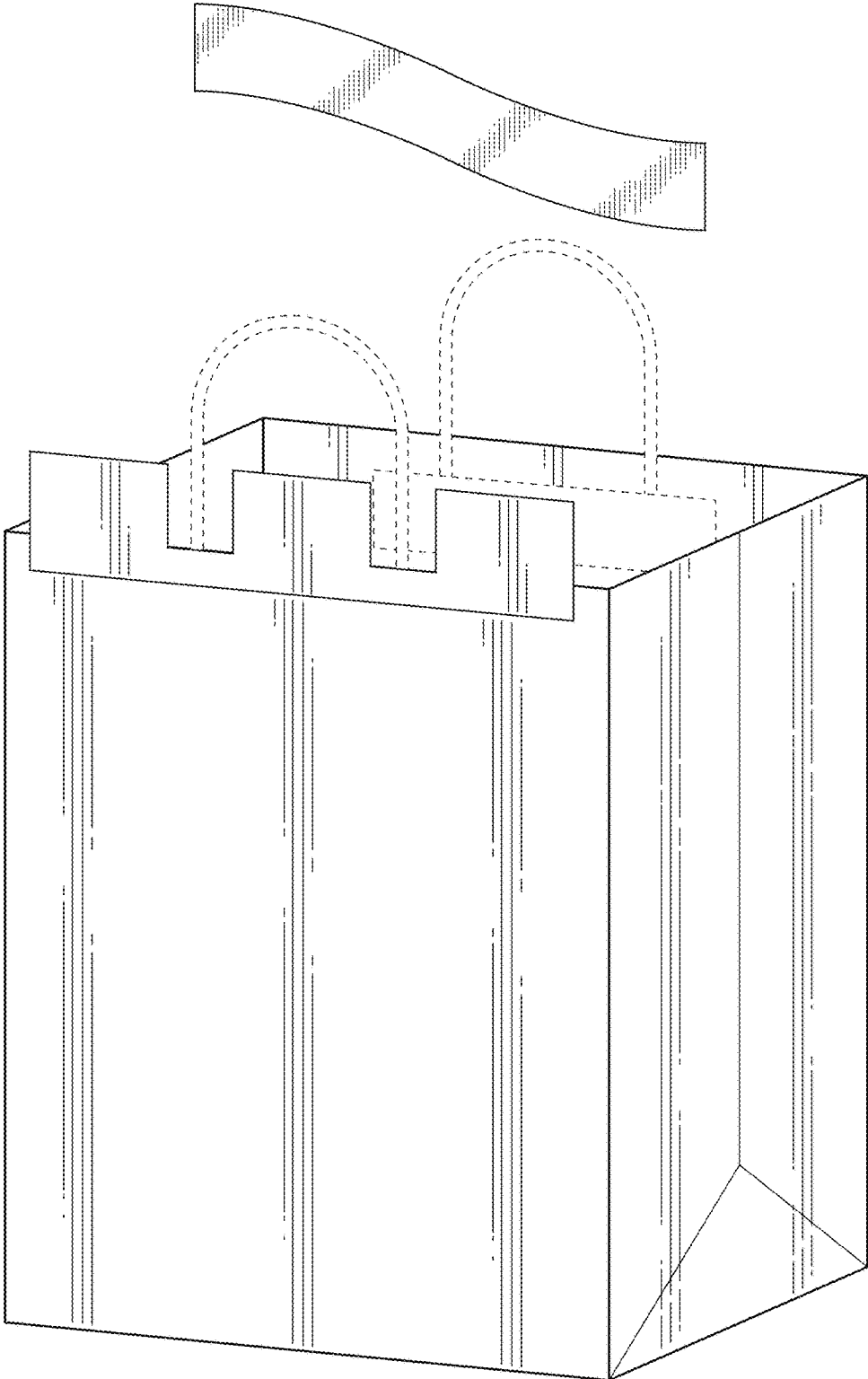


FIG. 5

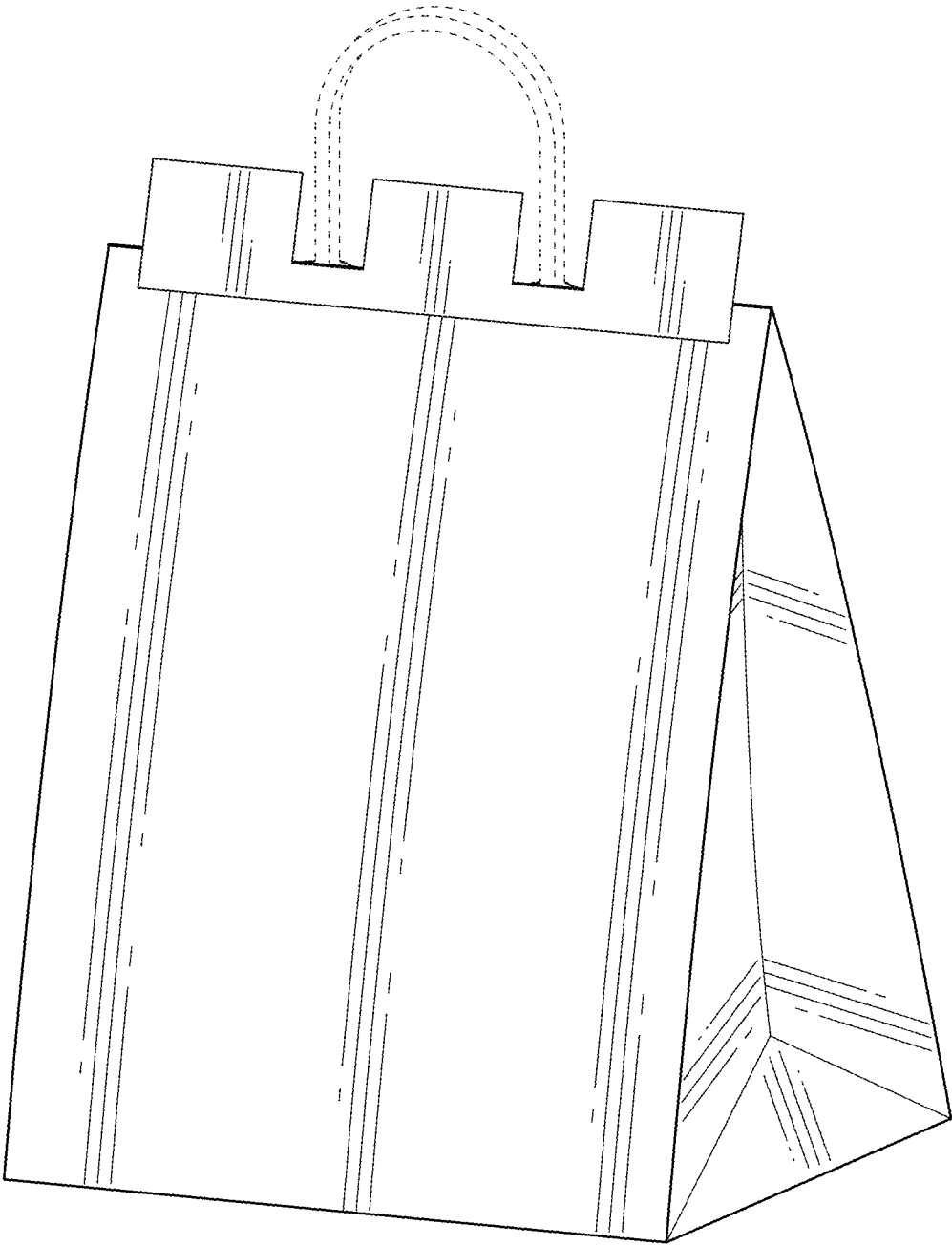


FIG. 6

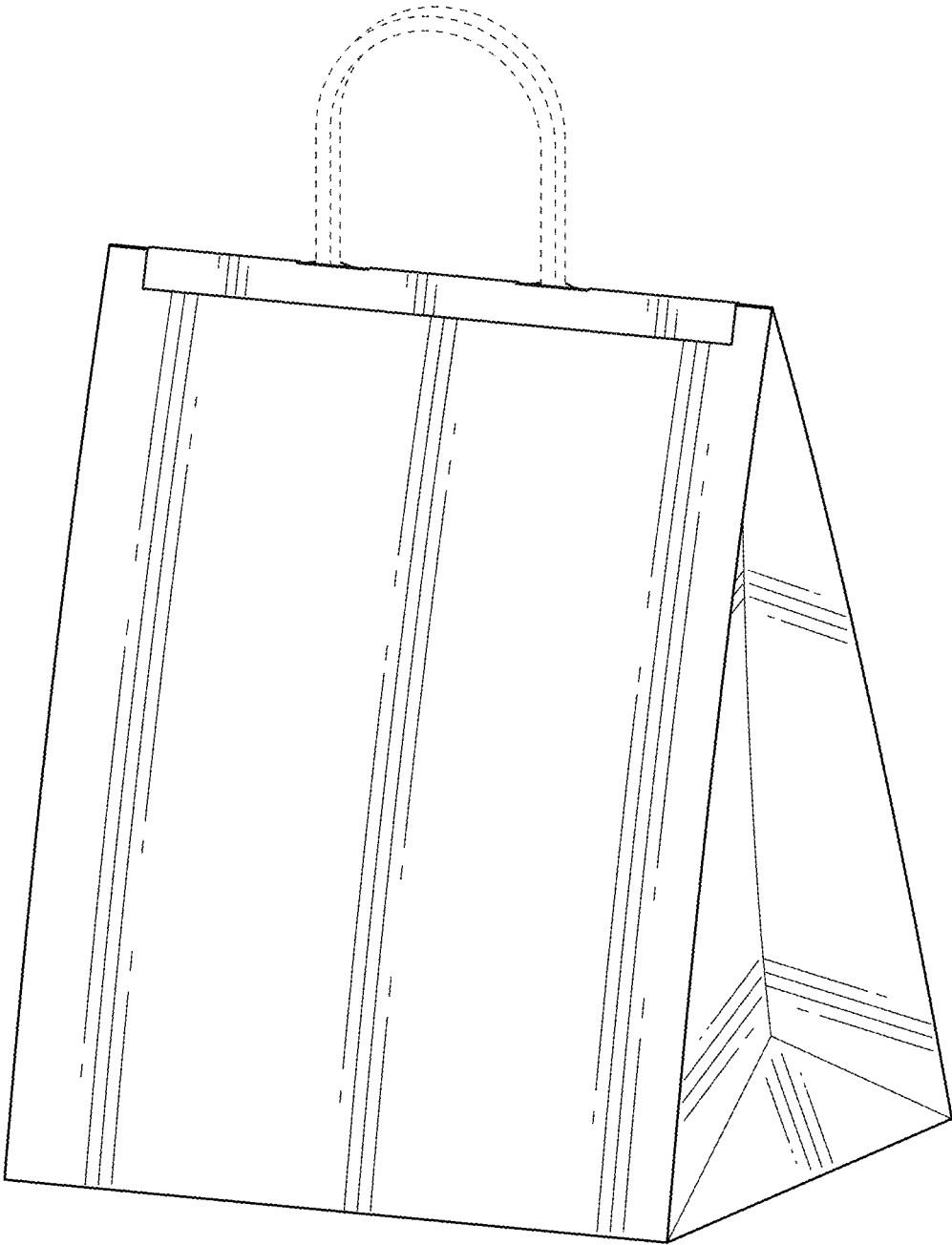


FIG. 7

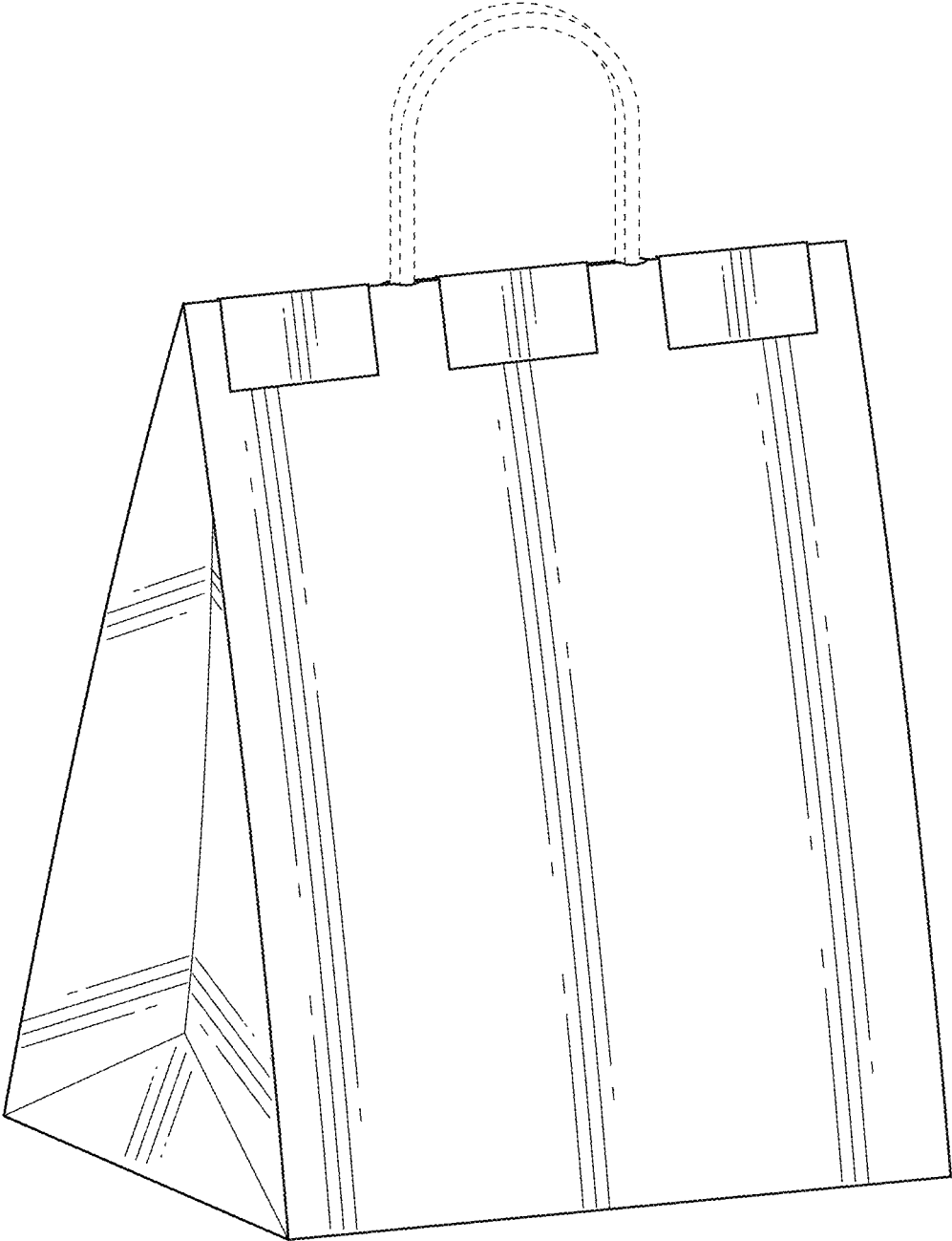


FIG. 8

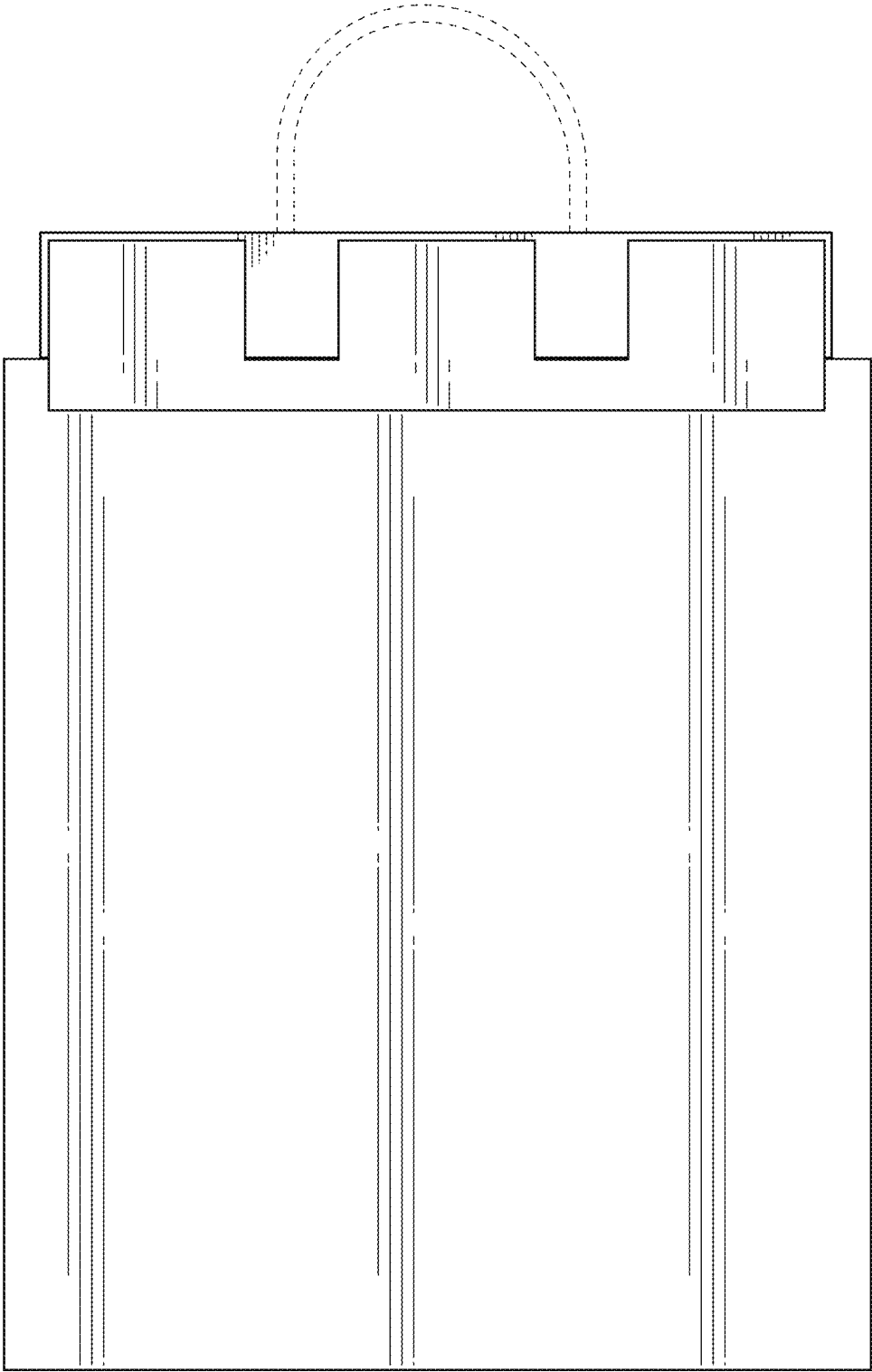


FIG. 9

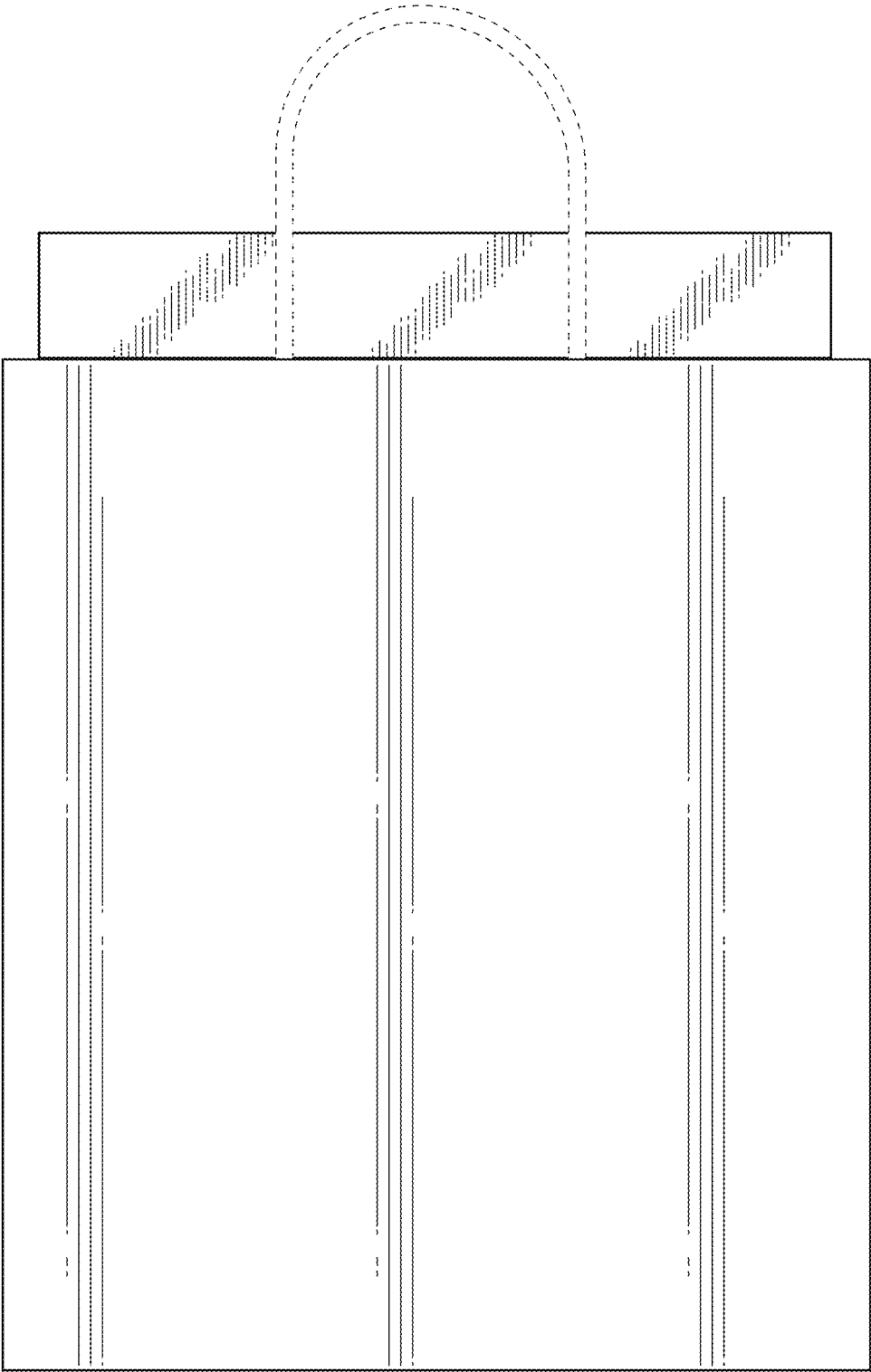


FIG. 10

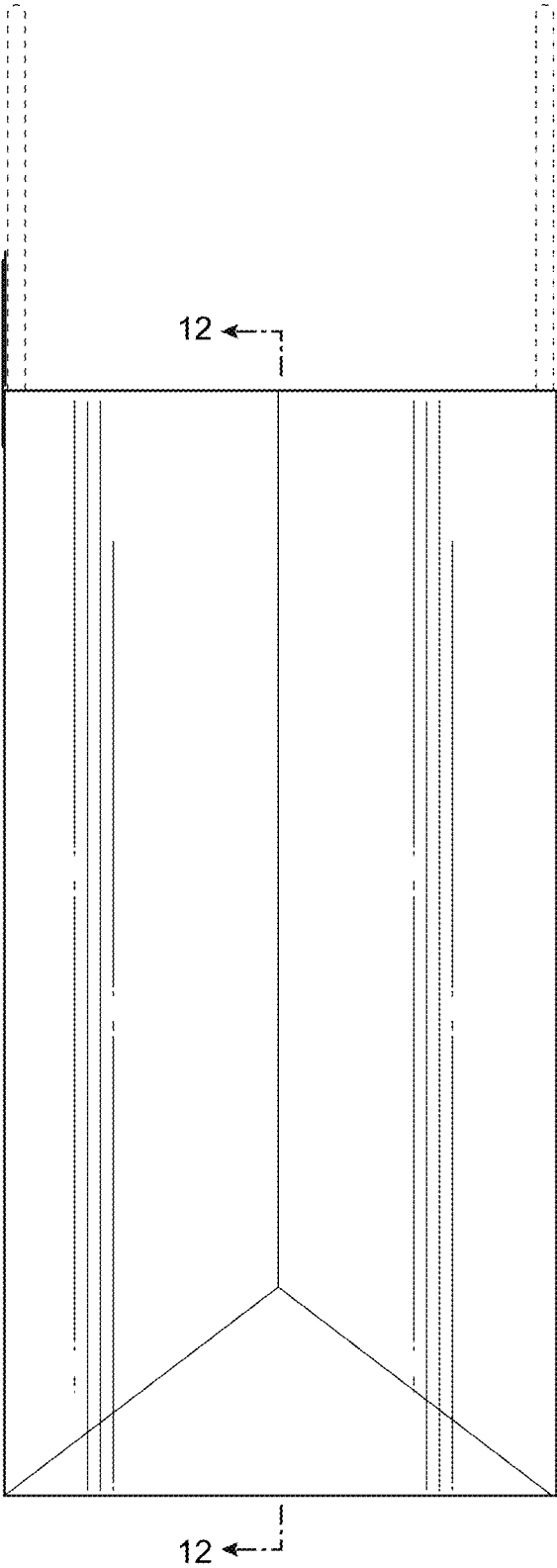


FIG. 11

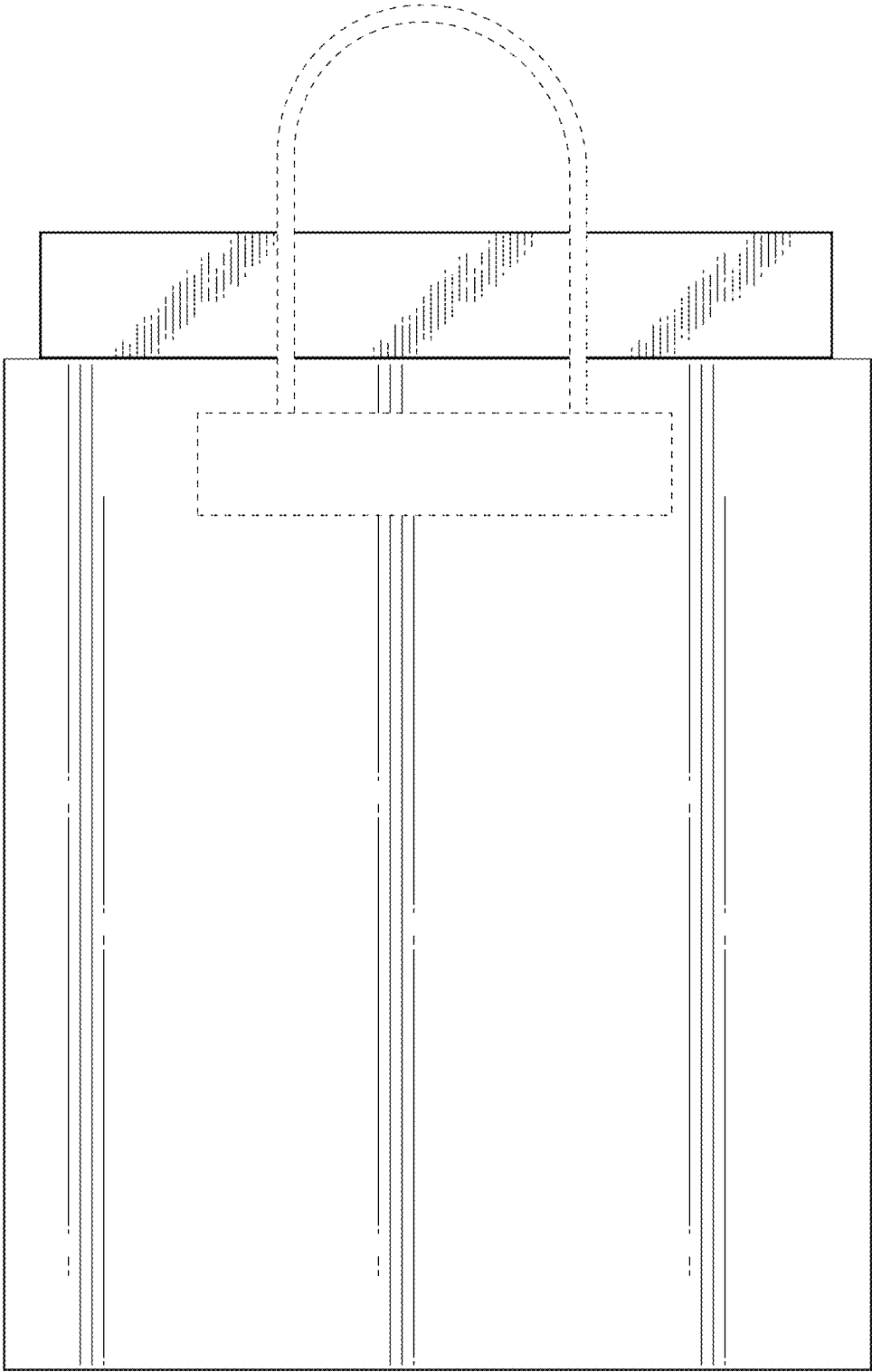


FIG. 12

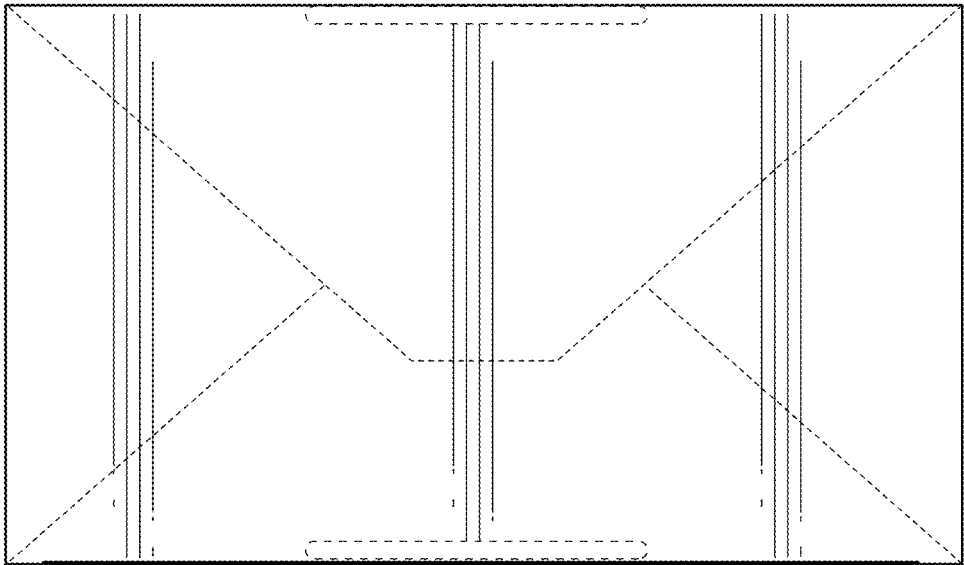


FIG. 13

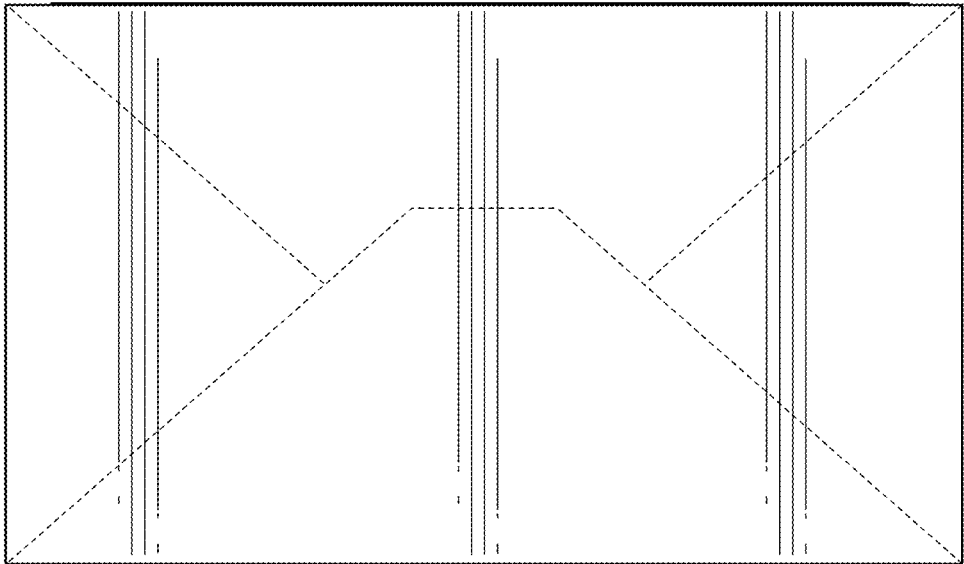


FIG. 14

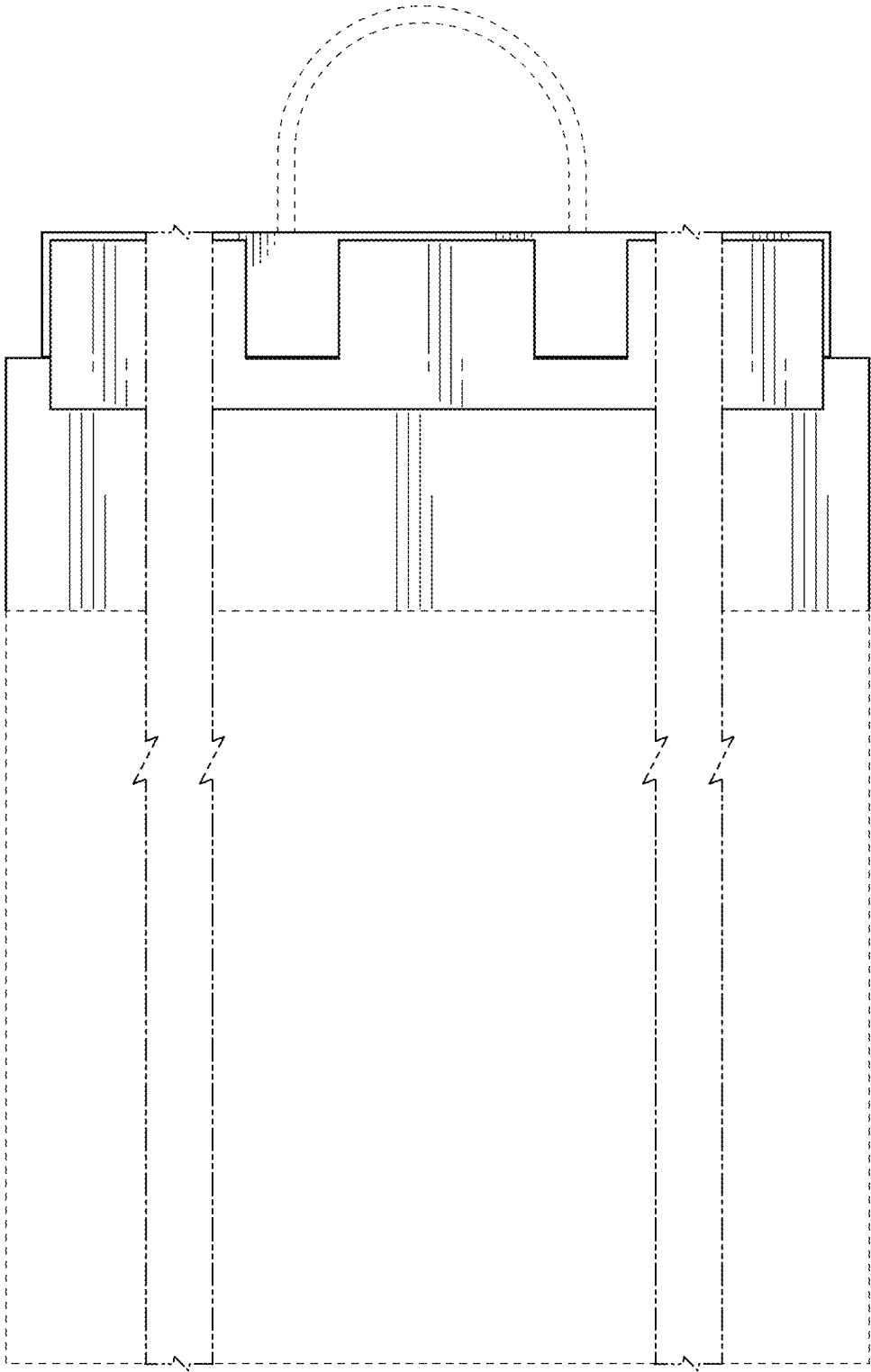


FIG. 15

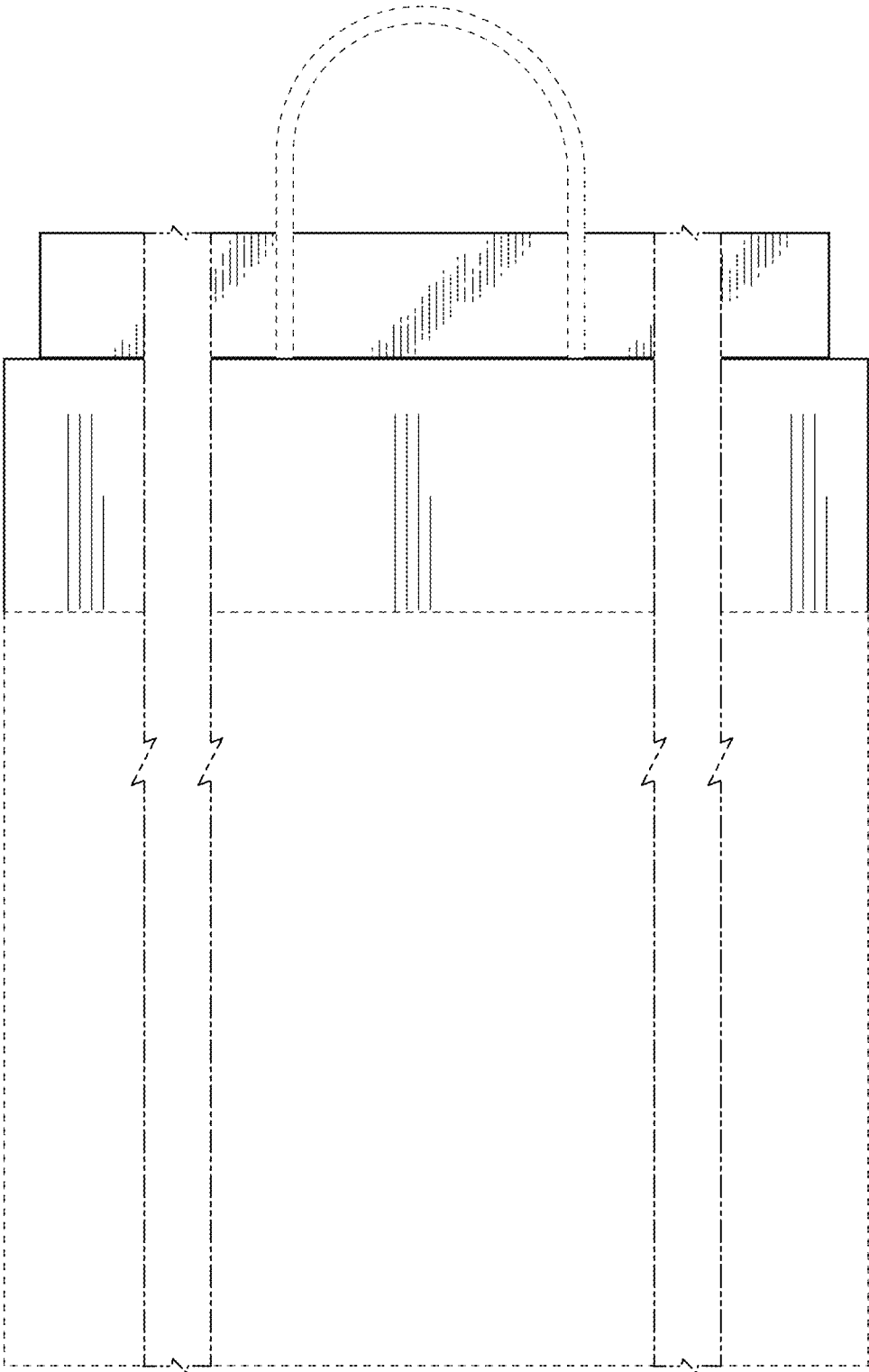


FIG. 16

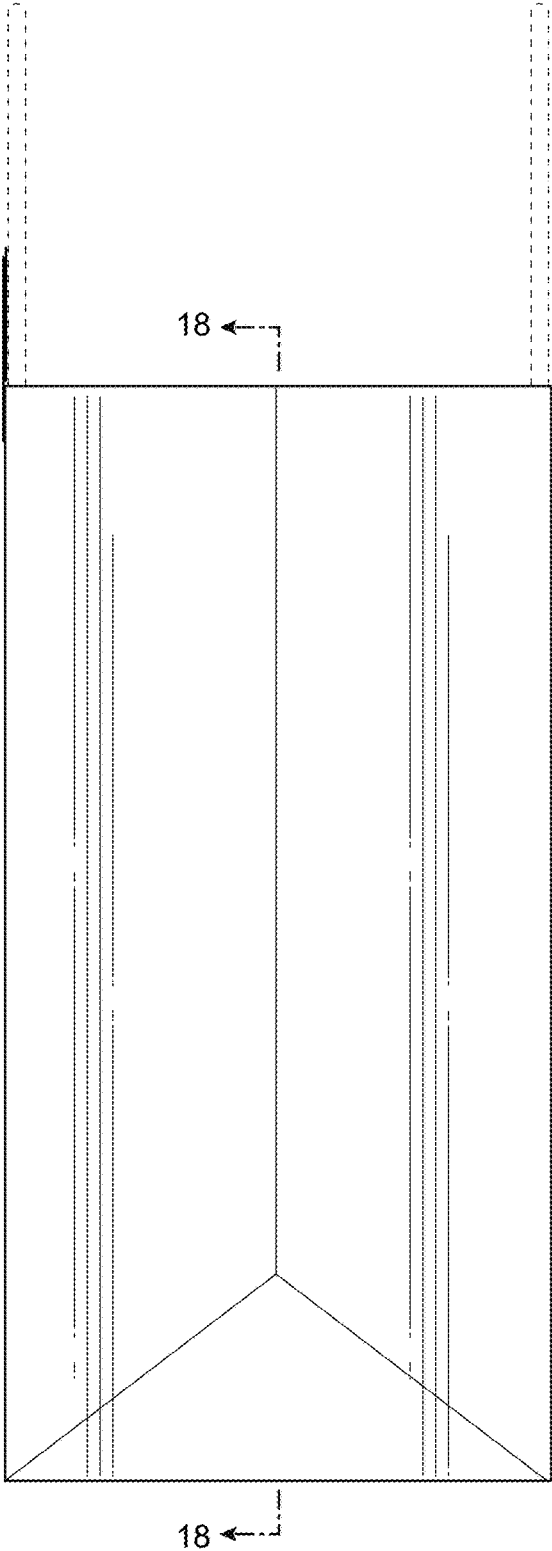


FIG. 17

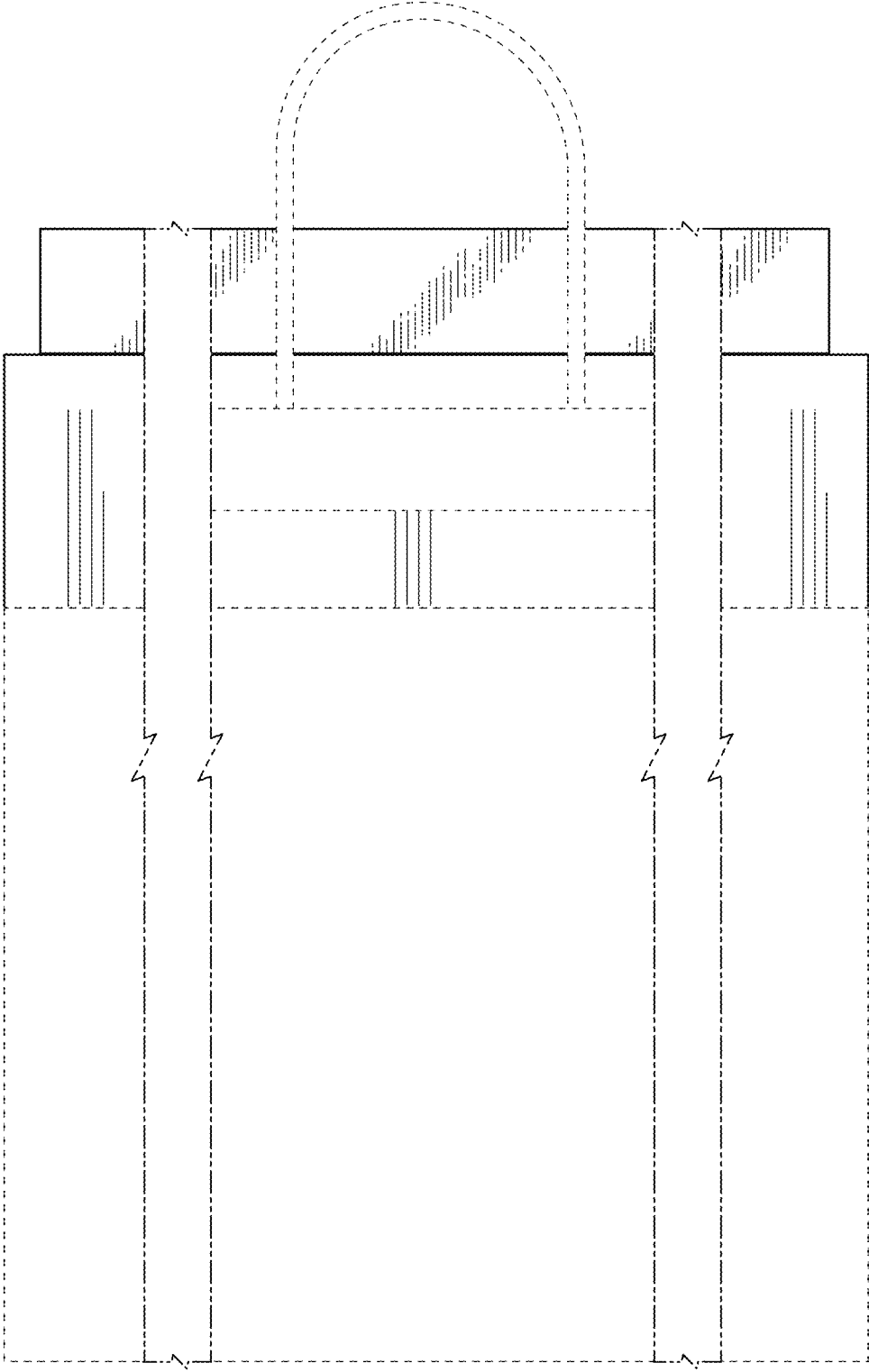


FIG. 18

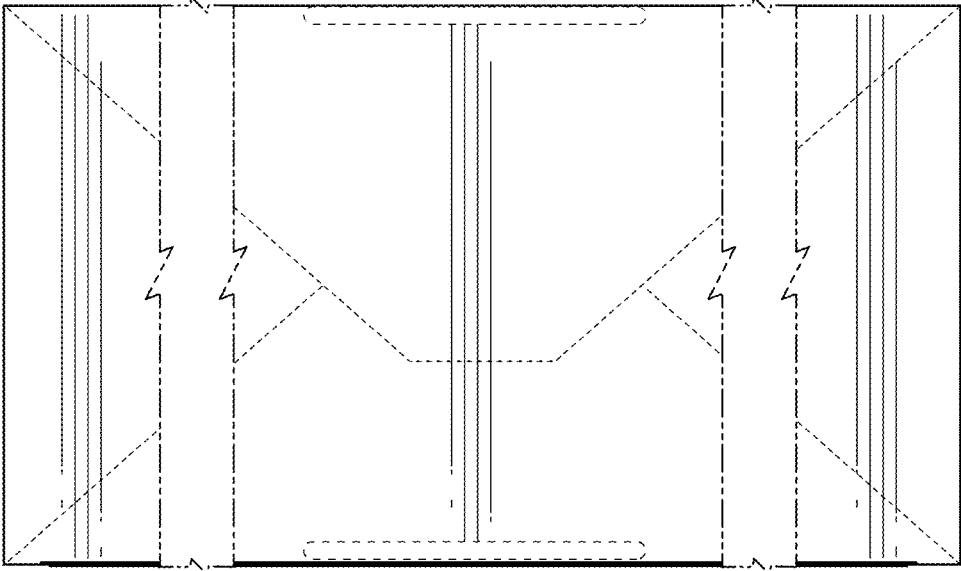


FIG. 19

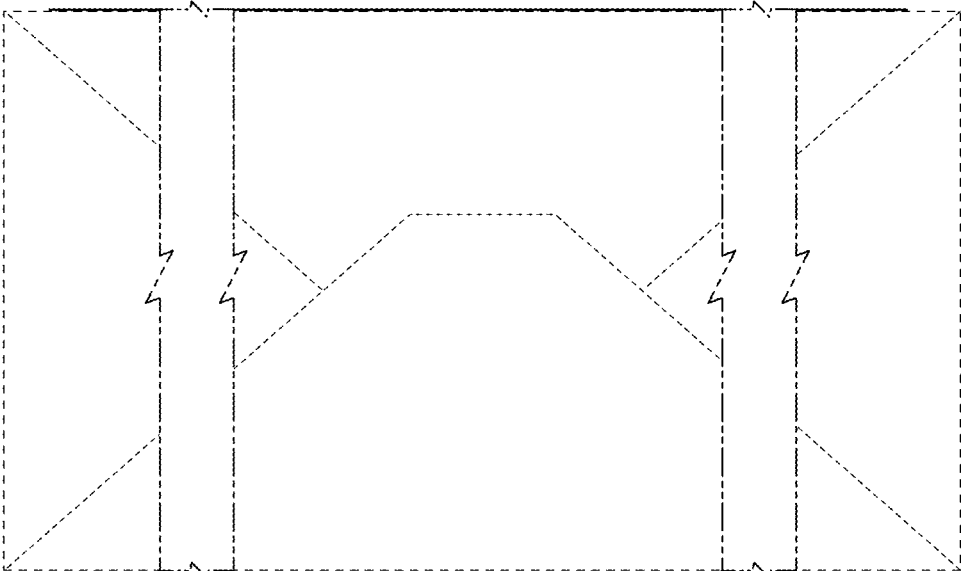


FIG. 20