



US00D539734S

(12) **United States Design Patent**
Brady et al.

(10) **Patent No.:** **US D539,734 S**

(45) **Date of Patent:** **** Apr. 3, 2007**

(54) **FUEL CELL SYSTEM PACKAGE**

(75) Inventors: **Robert Brady**, Sarasota, FL (US);
Steven Douglas MacFarlane,
Bradenton, FL (US)

(73) Assignee: **UltraCell Corporation**, Livermore, CA
(US)

(**) Term: **14 Years**

(21) Appl. No.: **29/229,225**

(22) Filed: **May 2, 2005**

(51) **LOC (8) Cl.** **13-02**

(52) **U.S. Cl.** **D13/110**

(58) **Field of Classification Search** D13/110,
D13/101, 103, 114, 184, 199; 261/29; 429/12,
429/20, 30, 34–39

See application file for complete search history.

(56) **References Cited**

U.S. PATENT DOCUMENTS

D351,337	S	*	10/1994	Bonnema et al.	D9/690
5,962,155	A	*	10/1999	Kuranaka et al.	429/20
D432,495	S	*	10/2000	Sugita et al.	D13/103
6,268,077	B1	*	7/2001	Kelley et al.	429/33
6,322,920	B1	*	11/2001	Tomson	429/34
D462,050	S	*	8/2002	Smith et al.	D13/101
2002/0197522	A1	*	12/2002	Lawrence et al.	429/34
2004/0013927	A1	*	1/2004	Lawrence et al.	429/34

* cited by examiner

Primary Examiner—Prabhakar Deshmukh
Assistant Examiner—Derrick Holland
(74) *Attorney, Agent, or Firm*—Beyer Weaver & Thomas, LLP

(57) **CLAIM**

We claim the ornamental design for a fuel cell system package, as shown and described.

DESCRIPTION

FIG. 1 is an upper right front perspective view of a fuel cell system package designed according to the invention.

FIG. 2 is an upper right front perspective view of a fuel cell system package of FIG. 1, shown with the fuel cartridge component detached.

FIG. 3 is a front elevational view of the fuel cell system package of FIG. 1.

FIG. 4 is a left side elevational view of the fuel cell system package of FIG. 1.

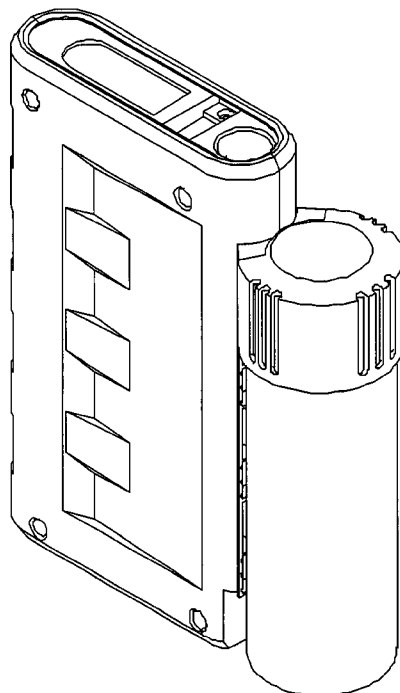
FIG. 5 is a rear elevational view of the fuel cell system package of FIG. 1.

FIG. 6 is a right side elevational view of the fuel cell system package of FIG. 1.

FIG. 7 is a top plan view of the fuel cell system package of FIG. 1; and,

FIG. 8 is a bottom plan view of the fuel cell system package of FIG. 1.

1 Claim, 8 Drawing Sheets



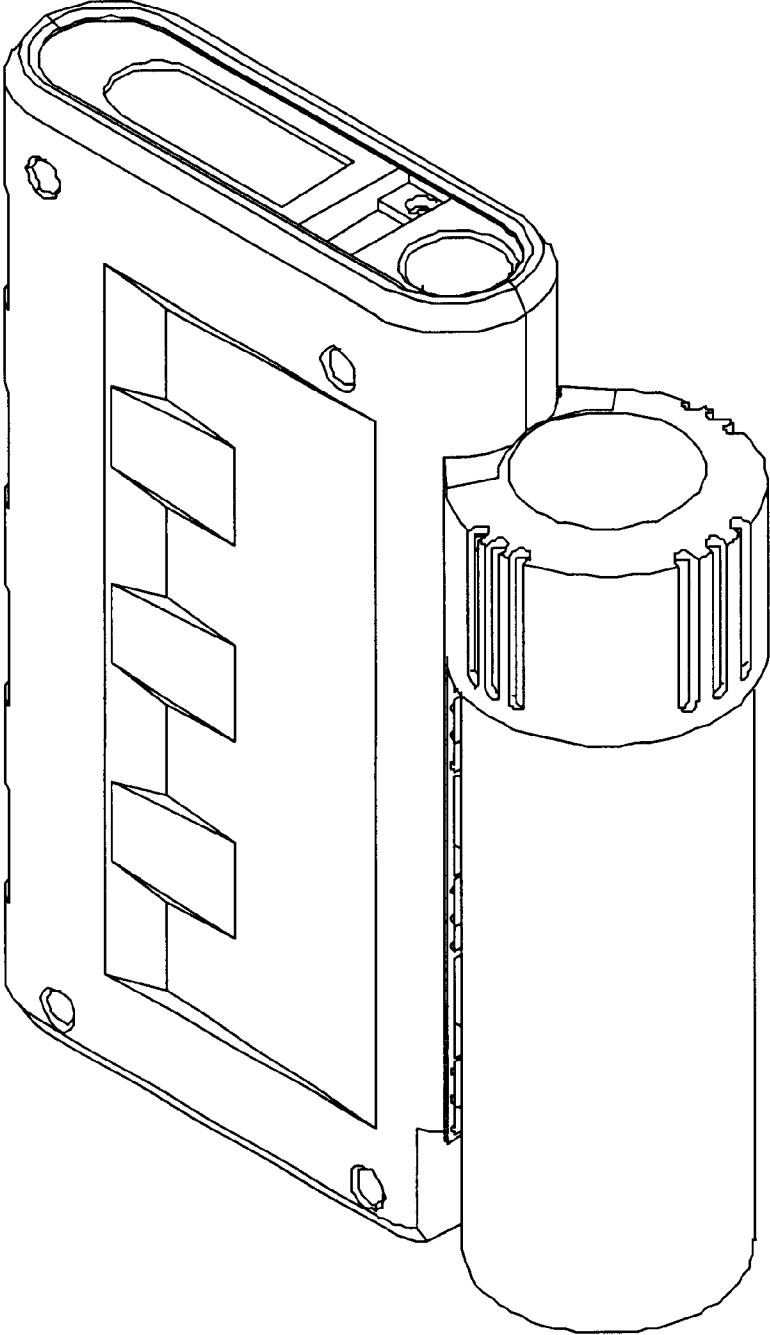


FIG. 1

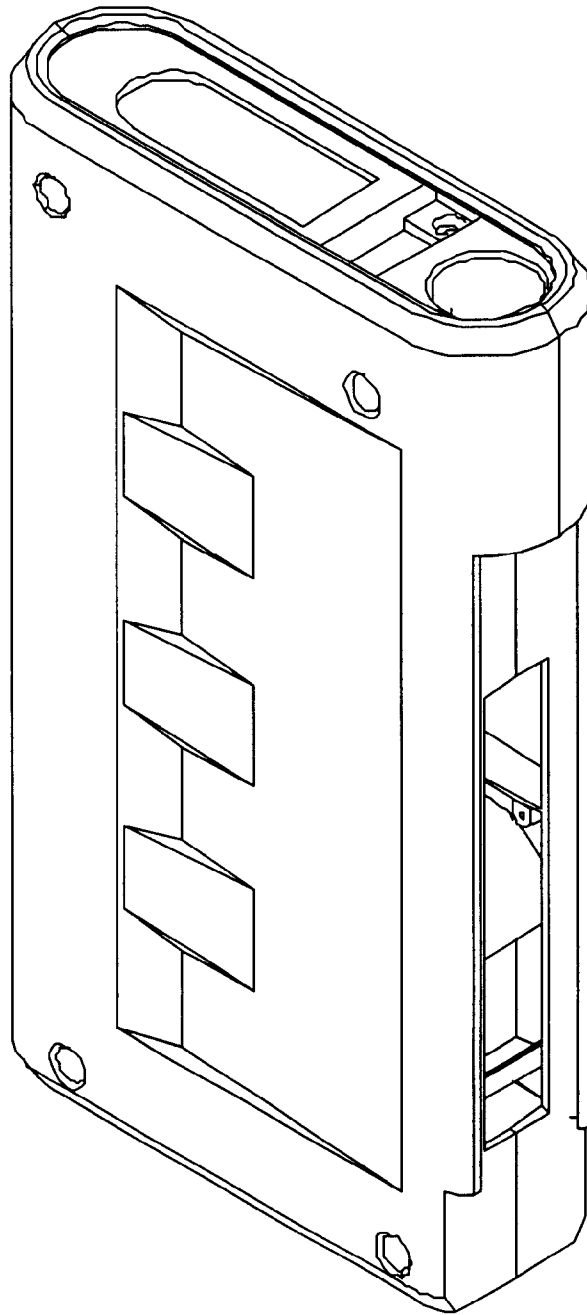


FIG. 2

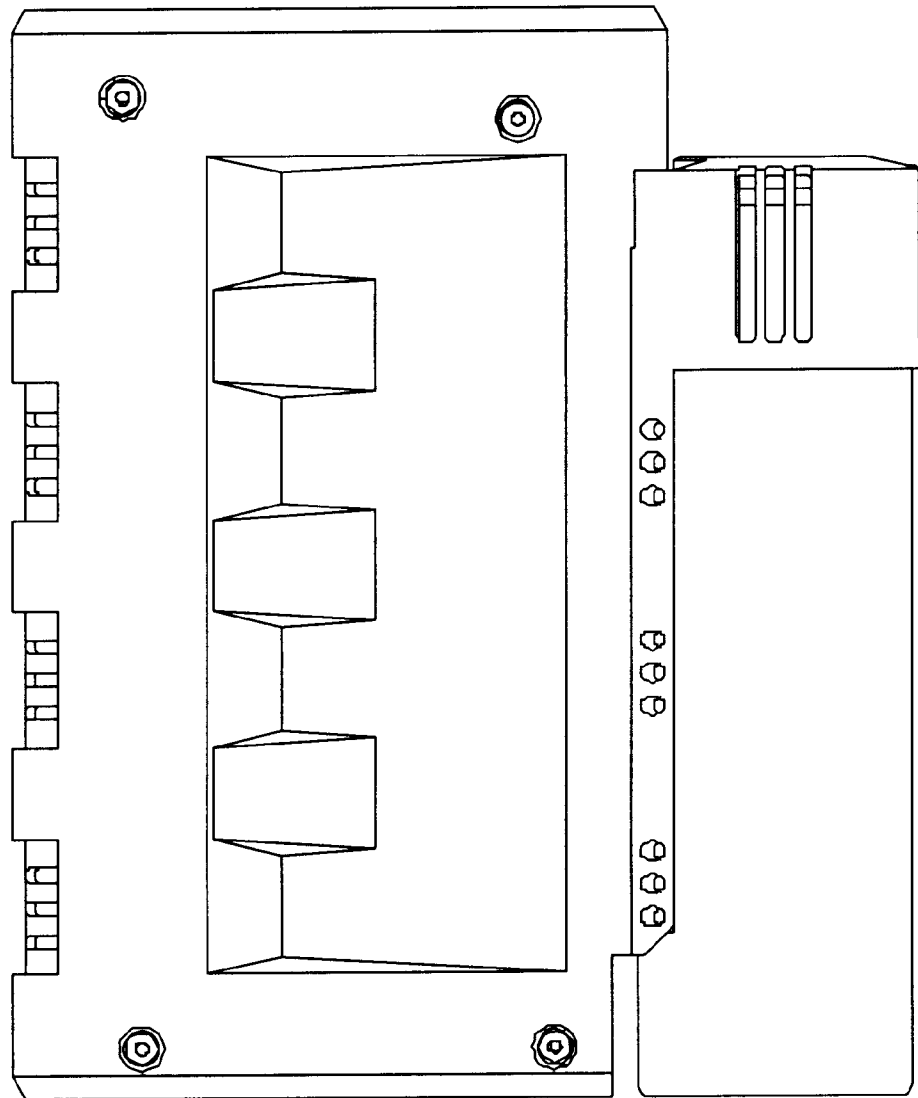


FIG. 3

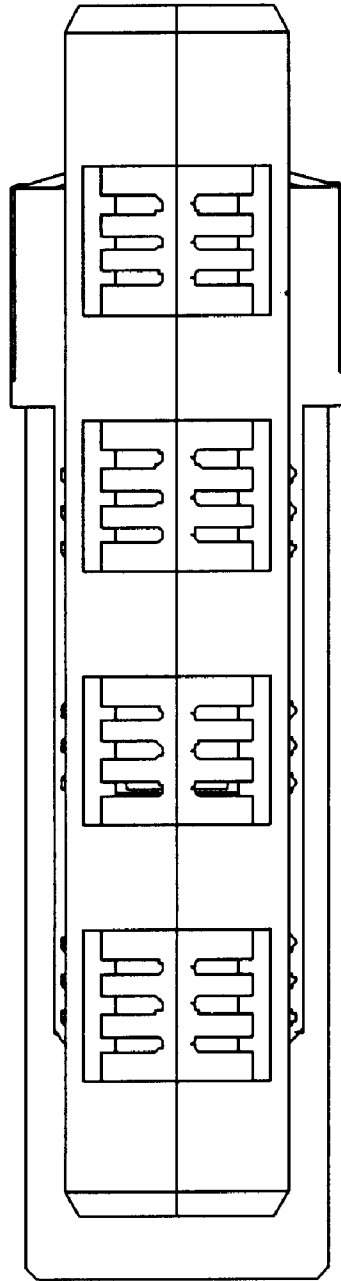


FIG. 4

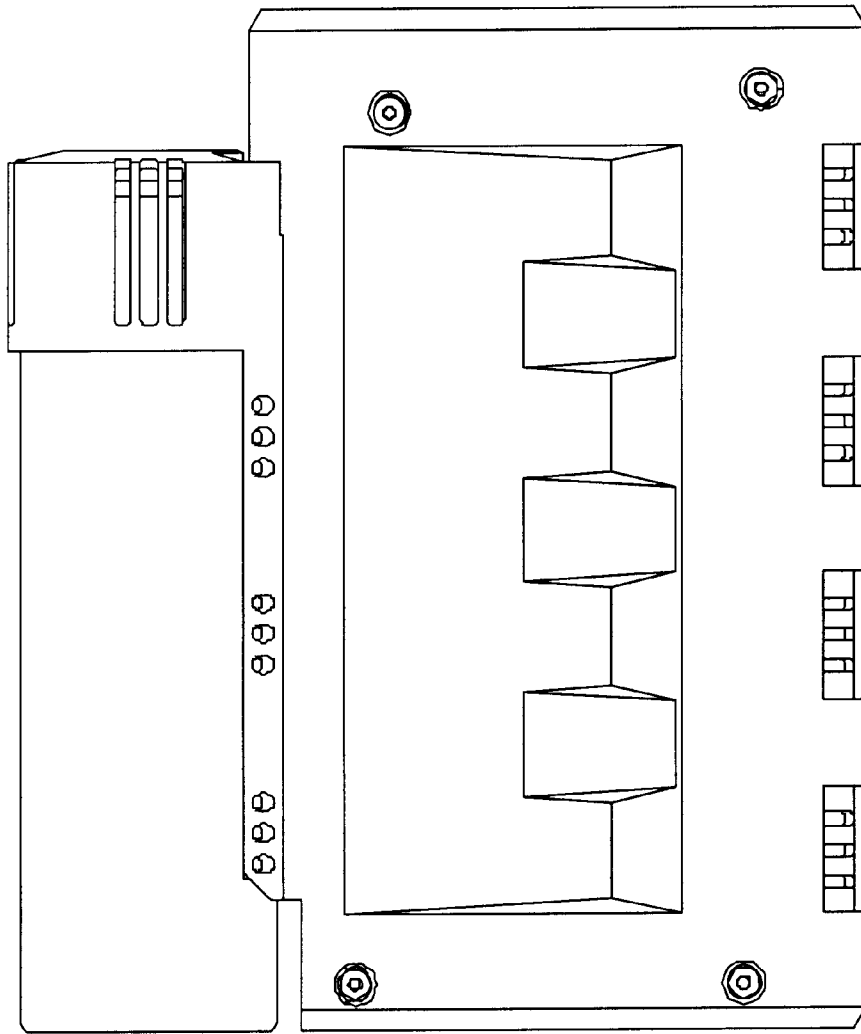


FIG. 5

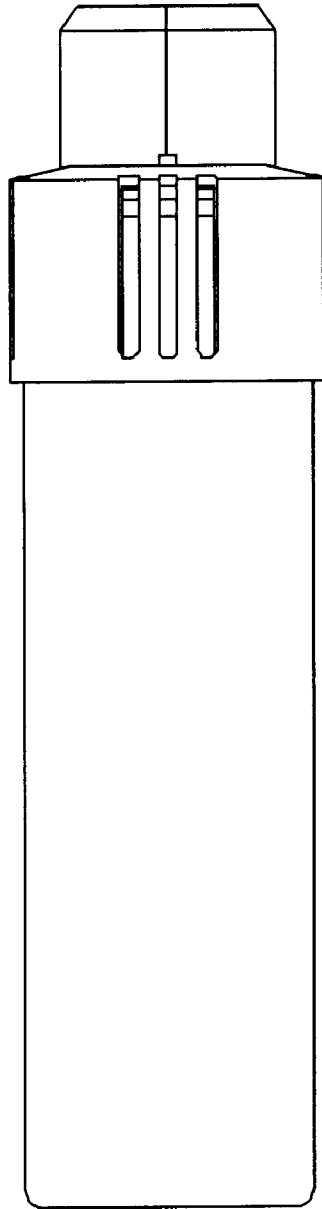


FIG. 6

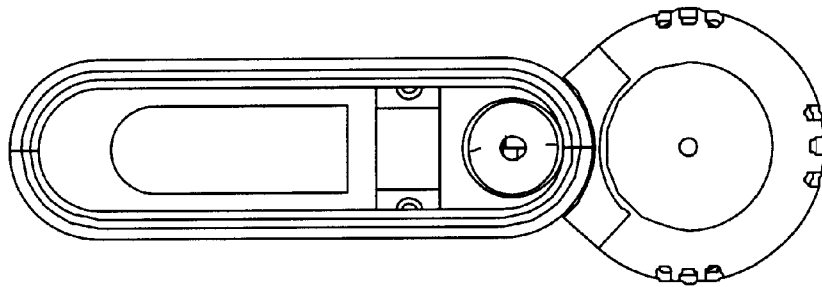


FIG. 7

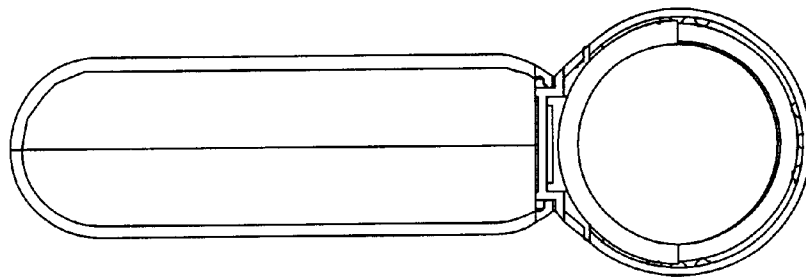


FIG. 8